

Equipped with grease lubrication function for the torque measurement at high-speed revolutions

Torque Detectors SS-2000 Series



● Features

- Ideal for torque detection at high-speed revolution without oil dropping lubrication system.
Revolution speed range at the measurement: 0 to 15,000 r/min
- Three-model lineup—torque detectors with 5N·m, 10N·m and 20N·m rated torque.
- For increased strength, the 5N·m torque detector has been equipped with the same detection shaft with a keyseat that was used for the 10N·m and 20N·m torque detectors.
- Since the 10N·m and 20N·m torque detectors have the same outer dimensions as the existing and long selling SS Series, replacement of torque detector can be performed smoothly.

● SS-2000 Series Specifications

| Model name | Rated torque (N·m) | Minimum resolution (N·m) | Revolution speed range (r/min) | Moment of inertia (kgm ²) | Spring constant (N·m/rad) |
|------------|--------------------|--------------------------|--------------------------------|---------------------------------------|---------------------------|
| SS-2050 | 5 | 0.001 | 0 to 15,000 | 5.00 X 10 ⁻⁵ | 4.12 X 10 ² |
| SS-2100 | 10 | 0.01 | | | 7.75 X 10 ² |
| SS-2200 | 20 | | | | 1.57 X 10 ² |

Notes

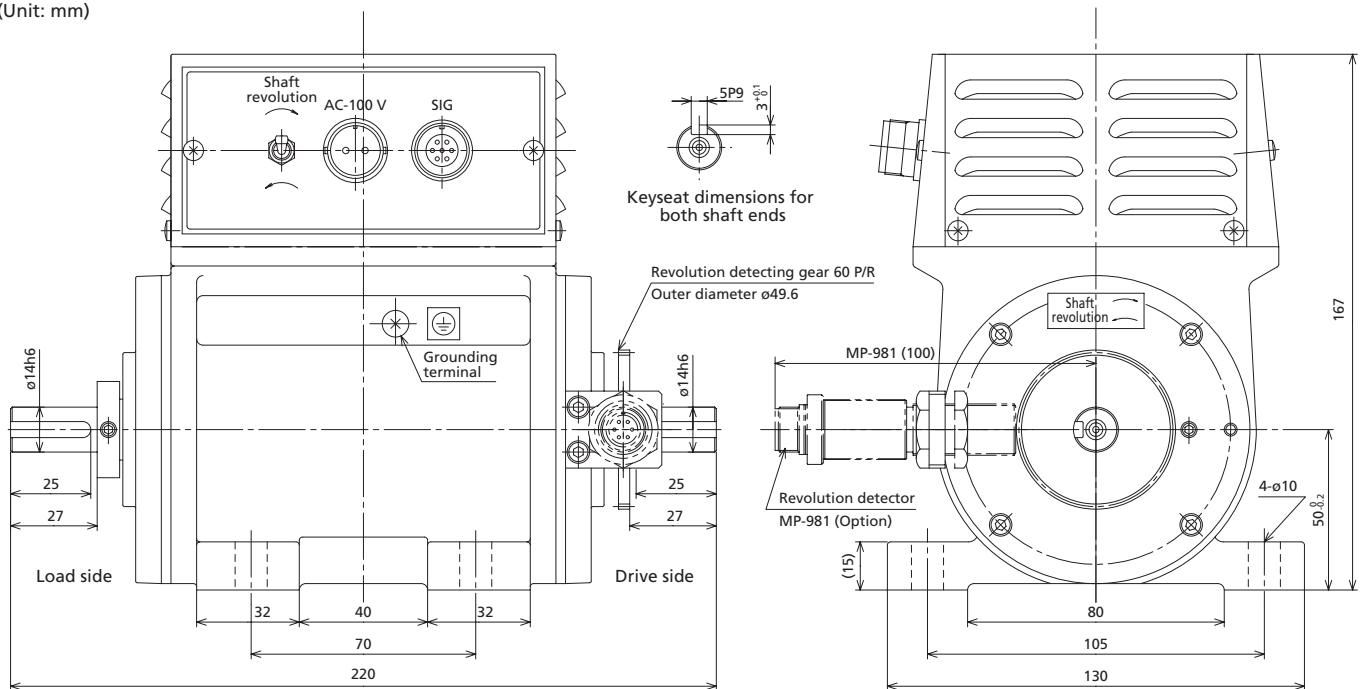
- (1) In order to support the torque measurement at high speed revolutions, the outer dimensions of the SS-2050 5N·m torque detector have been changed to match those of the SS-100. These dimensions differ from those of the SS-050 model. The all models of SS-2000 Series are same external dimensions.
- (2) Be sure to use your SS-2000 Series torque detector together with a TS Series torque calculating and display unit. Both the TS-2700 and TS-3200 can be used.
- (3) If a torque signal cable longer than the standard 5-m length is required, an additional charge will be required. Matching adjustment with the display unit will be also required, which is on charged basis.
- (4) The recommended couplings are those which have the same spring plates as those used for the existing SS Series. Please make sure that the weight of the coupling does not exceed 0.4 kg for the SS-2050 model, 0.6 kg for the SS-2100 model, or 0.8 kg for the SS-2200 (15,000 r/min).

● SS-2000 Series Specifications

| | |
|-----------------------------|--|
| Accuracy | ±0.2% (when combined with the TS-3200 or TS-2700 model; with N-0 compensation) |
| Operating temperature range | 0 to +40 °C |
| Storage temperature range | -20 to +80 °C |
| Operating humidity | 95% maximum (non-condensing) |
| Vibration resistance | Within 50 m/s ² |
| Revolution detecting gear | Provided as standard (60 P/R) |
| Power requirement | 100 VAC, 50/60 Hz |
| Weight | Approx. 5.5 kg |
| Power consumption | 35 VA |
| Accessories | Power cable (2.4 m), torque signal cable (5 m), Instruction manual, test report, shaft key |
| Options | <ul style="list-style-type: none"> • Torque calculating and display unit (TS-2700 or TS-3200) • Revolution detector (MP-981), Revolution signal cable (MX-800 Series) • External selection of the rotational direction of the motor attached to the torque detector (SS-0004) • Power requirement: AC110V, AC120V, AC220V (Step down transformer is provided for AC110V/120V input. Motor for torque detector is replaced for AC220V input.) |

● External drawing

(Unit: mm)



*Outer appearance and specifications are subject to change without prior notice.

URL: <http://www.onosokki.co.jp/English/english.htm>

ONOSOKKI

U.S.A
Ono Sokki Technology Inc.
2171 Executive Drive, Suite 400
Addison, IL. 60101 U.S.A
Phone : 630-627-9700
Fax : 630-627-0004
E-mail : info@onosokki.net
<http://www.onosokki.net>

THAILAND
Ono Sokki (Thailand) Co., Ltd.
29/67 Moo 5 Tivanon Road, Pakkred,
Nonthaburi 11120, Thailand
Phone : 02-964-3884
Fax : 02-964-3887
E-mail : osth_sales@onosokki.co.jp

P.R.CHINA
Ono Sokki Beijing Office
Beijing Jing Guang Center 3510
Hu Jia Lou, Chao Yang Qu
Beijing 100020, P.R.China
Phone : 010-6597-3113
Fax : 010-6597-3114
E-mail : onosokki@public.bta.net.cn

WORLDWIDE
Ono Sokki Co., Ltd.
1-16-1 Hakusan, Midori-ku, Yokohama
226-8507, Japan
Phone : 045-935-3976
Fax : 045-930-1906
E-mail : overseas@onosokki.co.jp